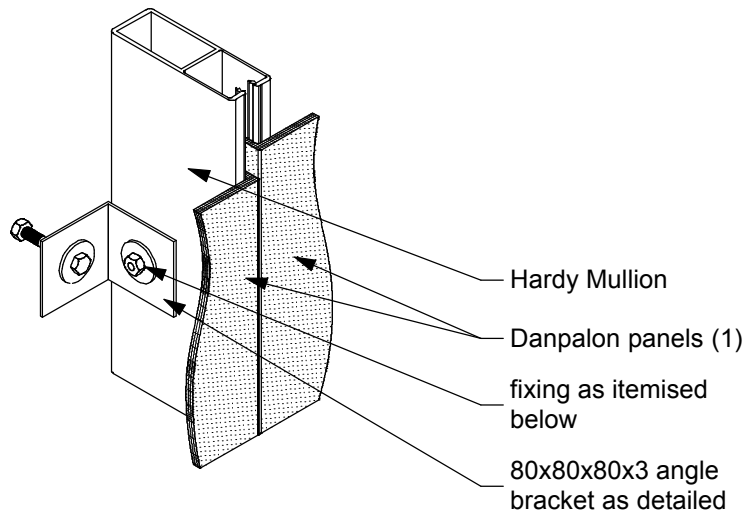
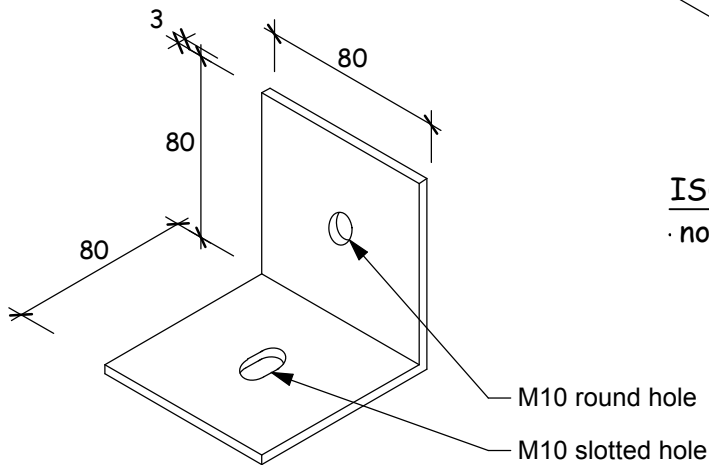


DIMENSIONS
1:2



ISOMETRIC
· not to scale



ANGLE BRACKET
not to scale

Angle Brackets:
80x80x80x3mm galvanised steel or aluminium
Fixing:
M10x70 316 stainless steel hex bolt
M10 316 stainless steel Nylok nut
M10x21x1.2 316 stainless steel flat washer

HARDY MULLION
scales as shown