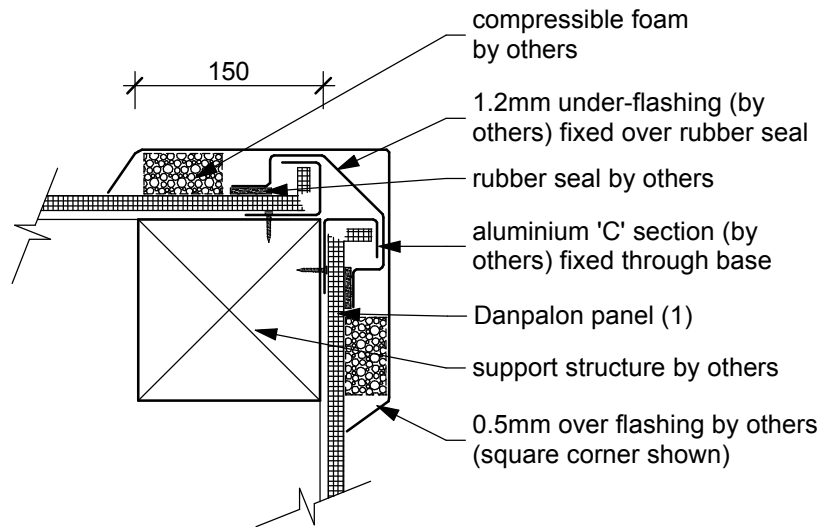
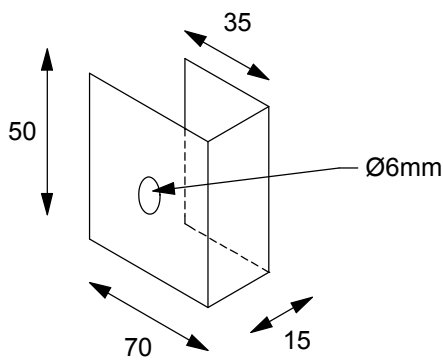


WHOLE SHEET WITH UPSTAND



CUT SHEET WITH UPSTAND



ALUMINIUM 'C' SECTION

EXTERNAL CORNER DETAIL

1:5