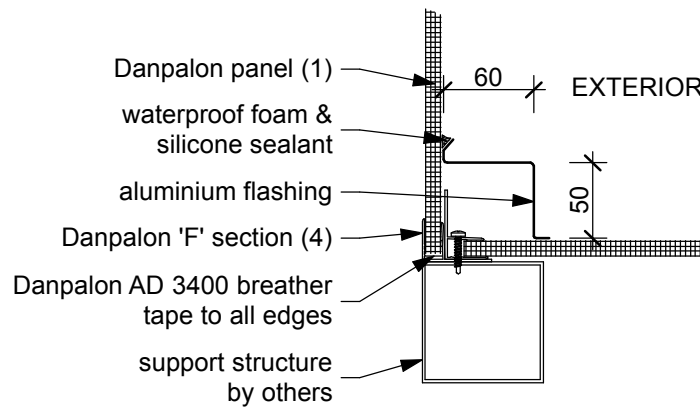


EXTERNAL CORNER

1:5



INTERNAL CORNER

1:5

Note:
Where post is timber use a
50x50 PVC corner flashing
behind Danpalon.

IMPORTANT RECOMMENDATION: For internal
and external corner sections view the New
Everlight Facade Details on our website
www.everlight.co.nz