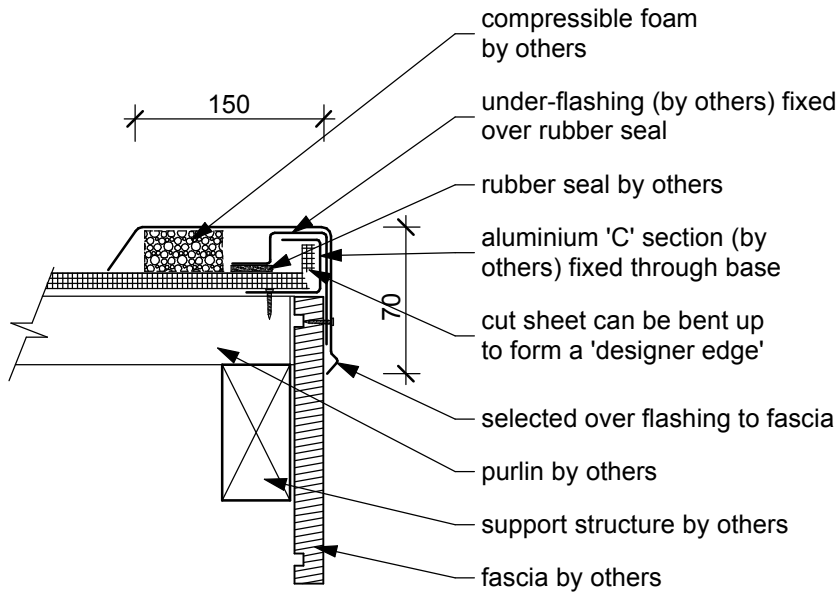


WHOLE SHEET WITH UPSTAND



CUT SHEET WITH UPSTAND

BARGE DETAIL

1:5

Note: Reference Detail Figure 47
Acceptable Solution E2/AS1.