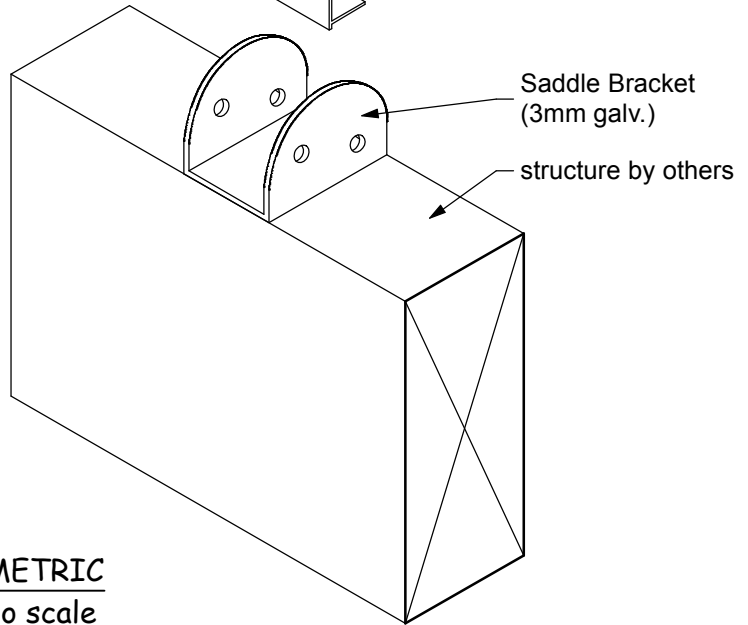
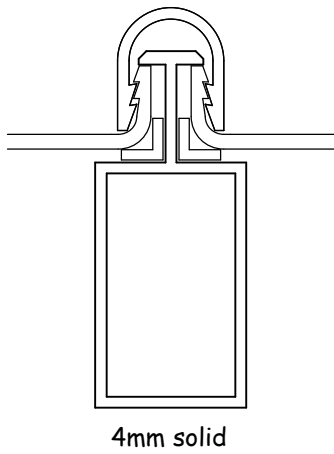
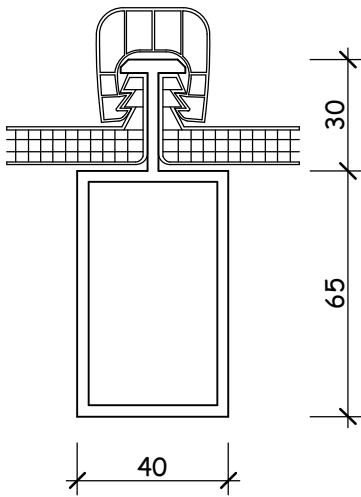


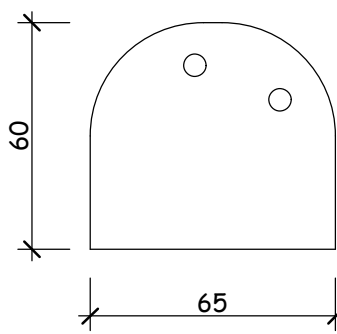
Screw fasteners
 Powers fasteners SDS EZIFIND NO 255
 20 tpi 14 ga 25mm long thread class 4
 For coastal areas use SDS EZIFIND NO 912 part nosssdhnc1220 Bi Metal



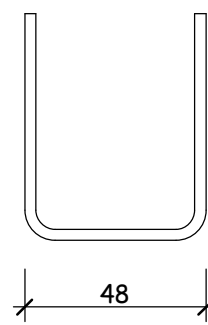
ISOMETRIC
 not to scale



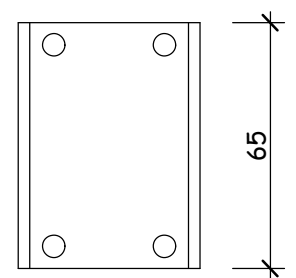
8mm or 10mm multicell



side elevation 1



side elevation 2



plan view

AB BAR DIMENSIONS
 1:2

SADDLE BRACKET DIMENSIONS
 1:2

AB BAR
 scales as shown